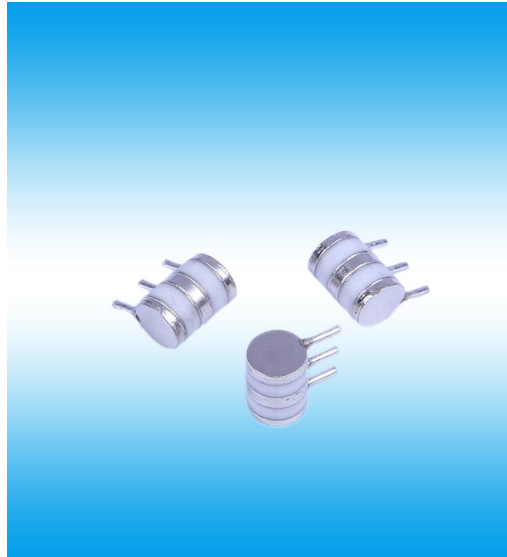


Type KW6M3R Series /Gas Discharge Tube氣體放電管



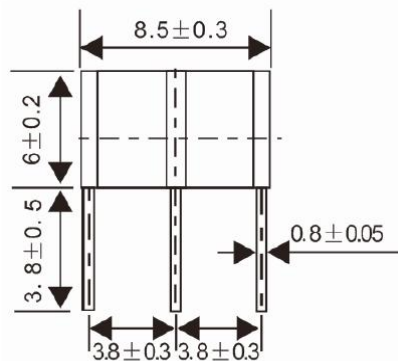
Features产品特征

- Low insertion loss
低插入损耗
- Excellent response to fast rising transients
对快速上升瞬态极好的响应
- 10KA surge capability testde with 8/20μs pulse as defined by IEC 61000-4-5
根据IEC 61000-4-5的定义，测试8/20 μ s脉冲的10KA冲击能力
- RoHS compliant
通过无铅认证
- Ultra low capacitaonce
超低电容

Applications产品应用

- Communication equipment
通信设备
- Test equipment
测试设备
- Broadband equipment
宽带设备
- Power supplies
电源供应器
- CATV equipment
有线电视设备
- Data lines
数据传输线
- Consumer electronics
消费类电子产品
- Telecom SLIC protection
电信SLIC保护

Dimensions(Unit:mm)尺寸（单位：mm）



Agency Approvals认证

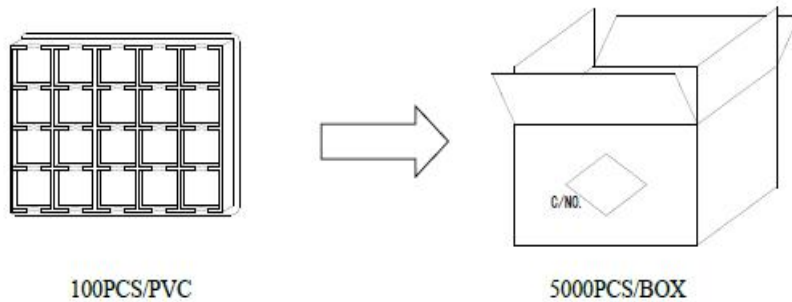
Icon	Description
RoHS	Compliance with 2011/65/EU
HF	Compliance with IEC61249-2-21:2003
	Mean Lead free
	Compliance with UL497B,Certificated E324754

Type KW6M3R Series

Electrical Specifications 电气特性

Catalog Number	DC Spark-Over Voltage 100V/s Vs(V)	Impulse Spark-Over 1KV/μs Vis(V)Max	Nom Impulse Discharge Current 10×700μs(KV)	Nom Impulse Discharge Current 8×20μs(KA)	Insulation Resistance		Capacitance C 1MHz < 6V pF Max
					Min. MΩ	DC V	
KW6M3R75	75V±30%	700	5.0	5.0	1000	50	1
KW6M3R90	90V±30%	700	5.0	5.0	1000	50	1
KW6M3R150	150V±30%	700	5.0	5.0	1000	50	1
KW6M3R230	230V±20%	600	5.0	5.0	1000	100	1
KW6M3R350	350V±20%	800	5.0	5.0	1000	100	1
KW6M3R470	470V±20%	900	5.0	5.0	1000	250	1
KW6M3R600	600V±20%	1200	5.0	5.0	1000	250	1
KW6M3R1000	1000V±20%	1800	5.0	5.0	1000	250	1

Packaging and Type Designation 包装和型号名称



Formation of Type Designation 类型命名的形成

Example: KW - 6 - M - 3R-90- * - * - *
① ② ③ ④ ⑤ ⑥ ⑦ ⑧

Symbols 符号表

① Company code	KW=Kingwahoo product
② Rated diameter	3=3mm diameter 4=4mm diameter 5=5mm diameter 6=6mm diameter ...
③ Load Configuration	A=Axial loads M=Radial loads 1 E=Radial Loads 2 S=SMD structure B=No load
④ Electrode amount	2R=2electrode device 3R=3 electrode device
⑤ DC Spark-over Voltage	75=75V 90=90V...
⑥ Surge rating	L=0.5KA T=1KA U=1.5KA N=2KA S=2.5KA R=5KA M=10KA H=20KA W:>20KA
⑦ Fail safe(FS)	F=With Fail Safe 0=Without Fail Safe
⑧ Package	B=Bulk Packing R=Reel Taping S=SMD Taping 0=No Require

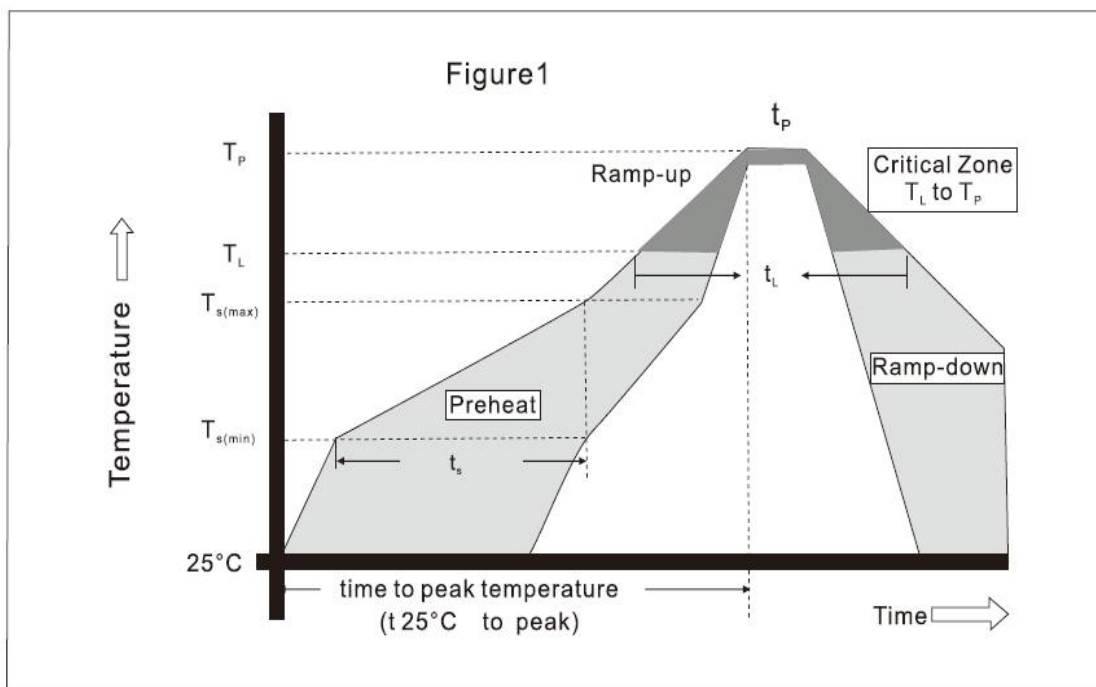
Packaging

On Taping: KW6M3R series-100pcs PVC, 500PCS in box, 5000pcs Outer box.

Type KW6M3R Series

Soldering Parameters 焊接参数

Reflow Condition 回流条件		Pb-Free assembly 无铅制程
Heat Pre	Temperature Min (T_s)	150°C
	Temperature Max (T_s)	200°C
	Time (Min to Max) (t_s)	60-180secs
Average ramp up rate (Liquidus) Temp (T_L) to peak		3°C/second max
T_s (max) to T_L -Ramp-up Rate		5°C/second max
Reflow	-Temperature (T_L) (Liquidus)	217°C
	Time (Min to Max) (t_L)	60-150 seconds
Peak Temperature (T_p)		260 ^{-0/-5} °C
Time within 5°C of actual peak Temperature (t_p)		8-20 seconds
Ramp-down Rate		6°C/second max
Time 25°C to peak Temperature (T_p)		8 minutes max.
Do not exceed		260°C



Temperature Range 温度范围

- Operating temp range: -55°C to +125°C
- Storage temp range: -40°C to +85°C