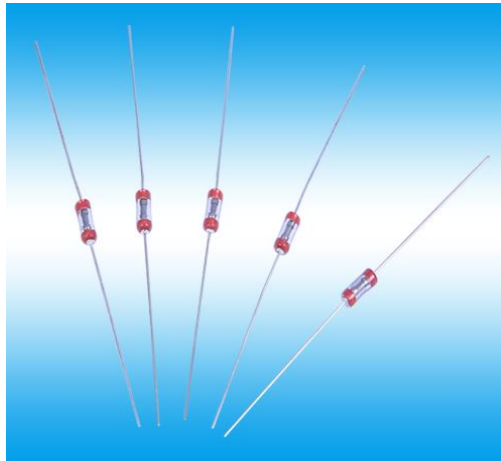


Type GSP Series/ Surge Absorber

GSP系列/玻璃放电管



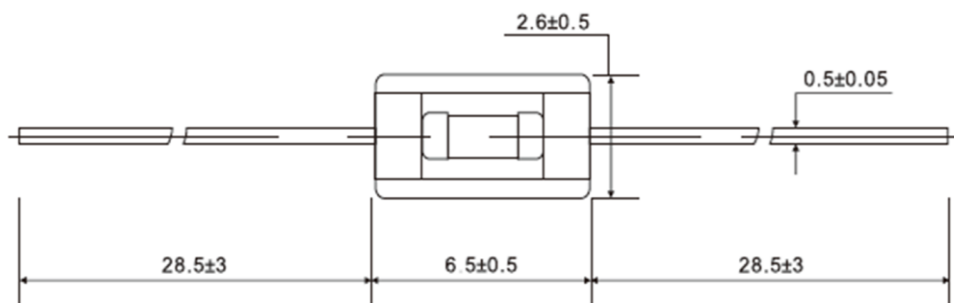
Features产品特征

- Compared with other surge absorbers having similar functions has the fast response speed, largest withstand current and voltage but smallest size.
与同类功能的浪涌吸收器相比，具有响应速度快、承受电流和电压最大、体积最小的特点。
- All electrical characteristics are very stable even after long period of charge and discharge. There is no need for inspection and exchange periodically.
即使经过长时间的充电和放电，所有的电气特性也非常稳定。不需要定期检查和交换。
- Completely insensitive to weather, temperature, humidity and lightness.
对天气、温度、湿度和明度完全不敏感。
- Super capability to withstand repeated lightning strikes.
超强能力，能承受多次雷击。
- Stable and very small electrostatic capacitance and great isolation (> 100MΩ).
稳定和非常小的静电电容和较大隔离 (> 100 mΩ)。
- No pollution material.
无污染材料
- Bilateral and symmetrical
双侧对称

Applications产品应用

- Power Supplies.
电源
- High frequency signal transmitters/receivers.
高频信号发射器/接收器
- Relay switching spark absorbing.
继电器开关火花吸收
- Data line pulse guarding.
数据线脉冲保护
- Electronic devices requiring UL497A and UL497B compliance
符合UL497A和UL497B标准的电子设备
- Telephone/Fax/Modem.
电话/传真/调制解调器
- Motor sparks eliminating.
电机火花消除
- Satellite antenna.
卫星天线
- Radio amplifiers.
广播功放
- Alarm systems.
报警系统
- Cathode ray tubes in Monitors/TVS.
射线管/监视器/电视

Dimensions(Unit:mm)尺寸 (单位: mm)



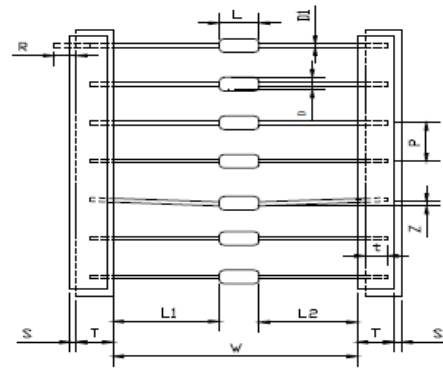
Type GSP Series/Surface Mounted Surge Absorber

Electrical Specifications 电气特性

Catalog Number	DC Spark-Over Voltage 100V/s Vs(V)	AC withstanding voltage	Nom Impulse Discharge Current 10×700μs(KV)	Nom Impulse Discharge Current 8×20μs(KA)	Insulation Resistance		Capacitance C 1MHz < 6V pF Max
					Min. M Ω	DC V	
GSP-141N	140V±30%	/	1KA 1times	100A 300times	100	50	1
GSP-201M	200V±20%				100	100	1
GSP-301M	300V±20%				100	100	1
GSP-401M	400V±20%	/	2KA 1times		100	100	1
GSP-501M	500V±20%				100	250	1
GSP-601M	600V±20%				100	250	1

Packaging and Type Designation 包装和型号名称

Symbol	Dimension(mm)
W	52±1.5
P	5.0±0.5
L1-L2	1Max
T	6.0±1.0
Z	1.2Max
R	Terminals must not project from tape
t	6Max
s	0.8Max
D1	φ0.5±0.05
L	7.1Max



Formation of Type Designation 类型命名的形成

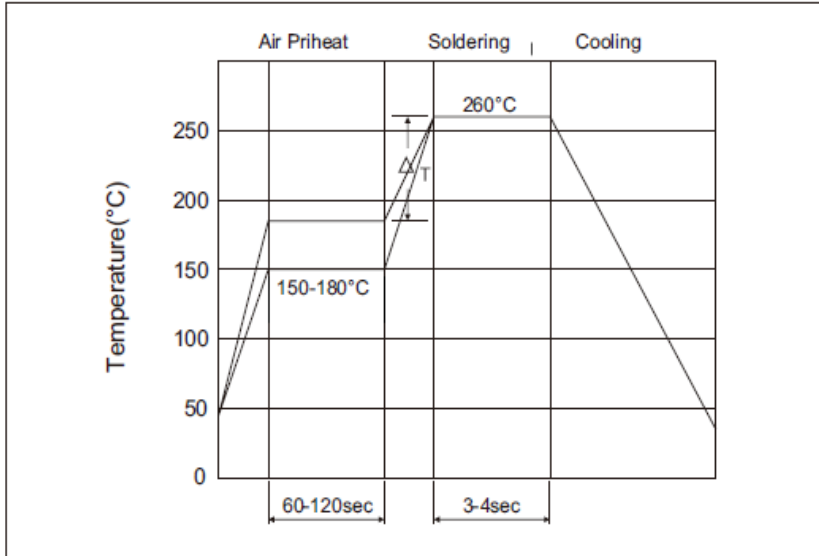
Example: GSP- 401- MA
①② ③ ④⑤

- ① GS: GLASS SURGE ABSORBER
- ② Series : GS35 GS41 GSMD DSL GSP
- ③ DC sparkover voltage marking: The first two number is significant digits, the last number is multiplier;
- ④ DC sparkover voltage tolerance: L:±15% M:±20% N:±30%
Eg: GSP-401M'S DC spark-over voltage range is as follows: Standard :401V ,Max:480V ,Min:320V
- ⑤ Packing style :A:Axial taping,R:Radial taping
On Taping: GSP series-2000pcs Per Reel
GSP series -20000pcs outer box.

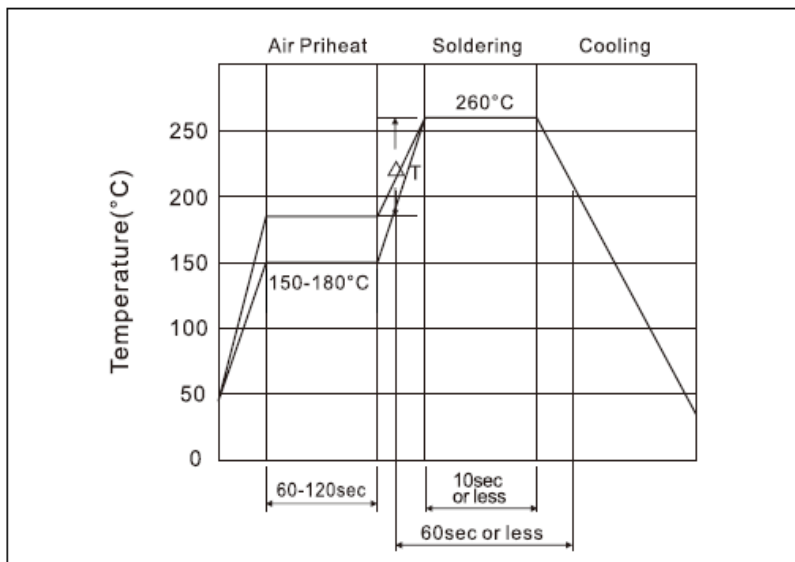
Type GSP Series/Surface Mounted Surge Absorber

Recommended Soldering Conditions 焊接条件

Flow Soldering Conditions



Reflow Soldering Conditions



Hand Soldering

Solder iron temperature: $350 \pm 5^\circ\text{C}$.

• Heating time: 3 seconds max.

- Time shown in the above figures is measured from the point when chip surface reaches temperature.
- Temperature difference in high temperature part should be within 110°C .
- After soldering, do not force cool, allow the parts to cool gradually.